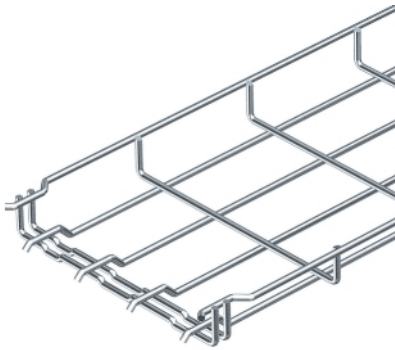


Mesh cable tray GR-Magic®

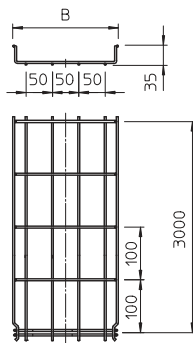


Magnetic shield insulation without cover 15 dB, with cover 25 dB.
 Mesh cable tray with shaped connector of side height 35 mm.
 No additional connection components are required for the mesh cable tray, it is simply interlocked. The grid width is 50 x 100 mm (exception: GRM 35/50 = 20 x 100 mm).

Type	Width mm	Wire Ø mm	Pack. m	Weight kg/100 m	Item No.
GRM 35 50 G	50	3,9	3	45,300	6000060
GRM 35 100 G	100	3,9	3	49,000	6000062
GRM 35 150 G	150	3,9	3	63,100	6000063
GRM 35 200 G	200	3,9	3	76,800	6000064
GRM 35 300 G	300	4,8	3	159,100	6000066
GRM 35 50 FT	50	3,9	3	45,610	6000069
GRM 35 100 FT	100	3,9	3	50,400	6000071
GRM 35 150 FT	150	3,9	3	64,500	6000072
GRM 35 200 FT	200	3,9	3	78,600	6000073
GRM 35 300 FT	300	4,8	3	162,700	6000075

St Steel
G Electrogalvanised **FT** Hot-dip galvanised

Dimensions

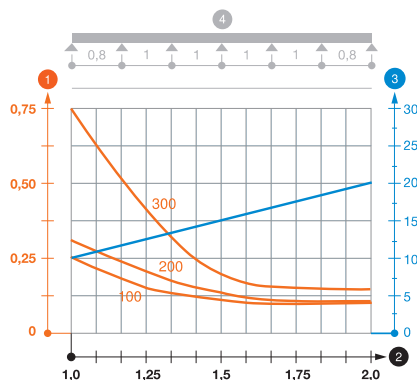


Type	Length mm	Dimen- sion B mm	Wire Ø mm	Useful cross- section cm ²
GRM 35 50 G	3000	50	3,9	17,5
GRM 35 100 G	3000	100	3,9	35
GRM 35 150 G	3000	150	3,9	52,5
GRM 35 200 G	3000	200	3,9	70
GRM 35 300 G	3000	300	4,8	105
GRM 35 50 FT	3000	50	3,9	17,5
GRM 35 100 FT	3000	100	3,9	35
GRM 35 150 FT	3000	150	3,9	52,5
GRM 35 200 FT	3000	200	3,9	70
GRM 35 300 FT	3000	300	4,8	105

Load

Type	1.0 m kN/m	1.5 m kN/m	2.0 m kN/m
GRM 35 50 G	0,25	0,11	0,1
GRM 35 100 G	0,25	0,11	0,1
GRM 35 150 G	0,25	0,11	0,1
GRM 35 200 G	0,3	0,14	0,1
GRM 35 300 G	0,75	0,22	0,15
GRM 35 50 FT	0,25	0,11	0,1
GRM 35 100 FT	0,25	0,11	0,1
GRM 35 150 FT	0,25	0,11	0,1
GRM 35 200 FT	0,3	0,14	0,3
GRM 35 300 FT	0,75	0,22	0,15

Load diagram, GR-Magic mesh cable tray, type GRM 35



- 1 Permitted cable tray/ladder load in kN/m without man load
- 2 Support width in m
- 3 Rail bend in mm at permitted kN/m
- 4 Load scheme during testing
- Load curve with cable tray/ladder width in mm
- Strut bend curve according to support width